

POWERS BOULEVARD

(WOODMEN ROAD TO RESEARCH PARKWAY)
CITY OF COLORADO SPRINGS, COUNTY OF EL PASO, STATE OF COLORADO

FUTURE CONDITION DRAINAGE PLAN

(NORTH OF COTTONWOOD CREEK)

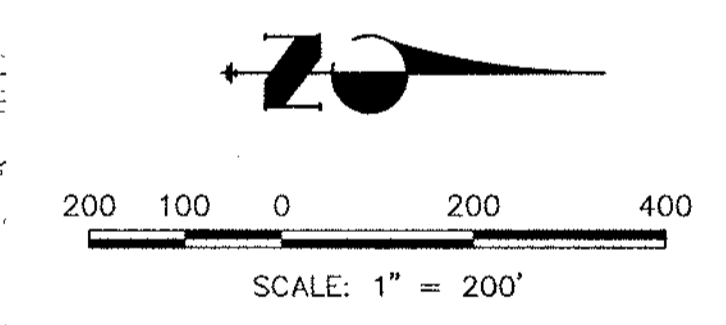
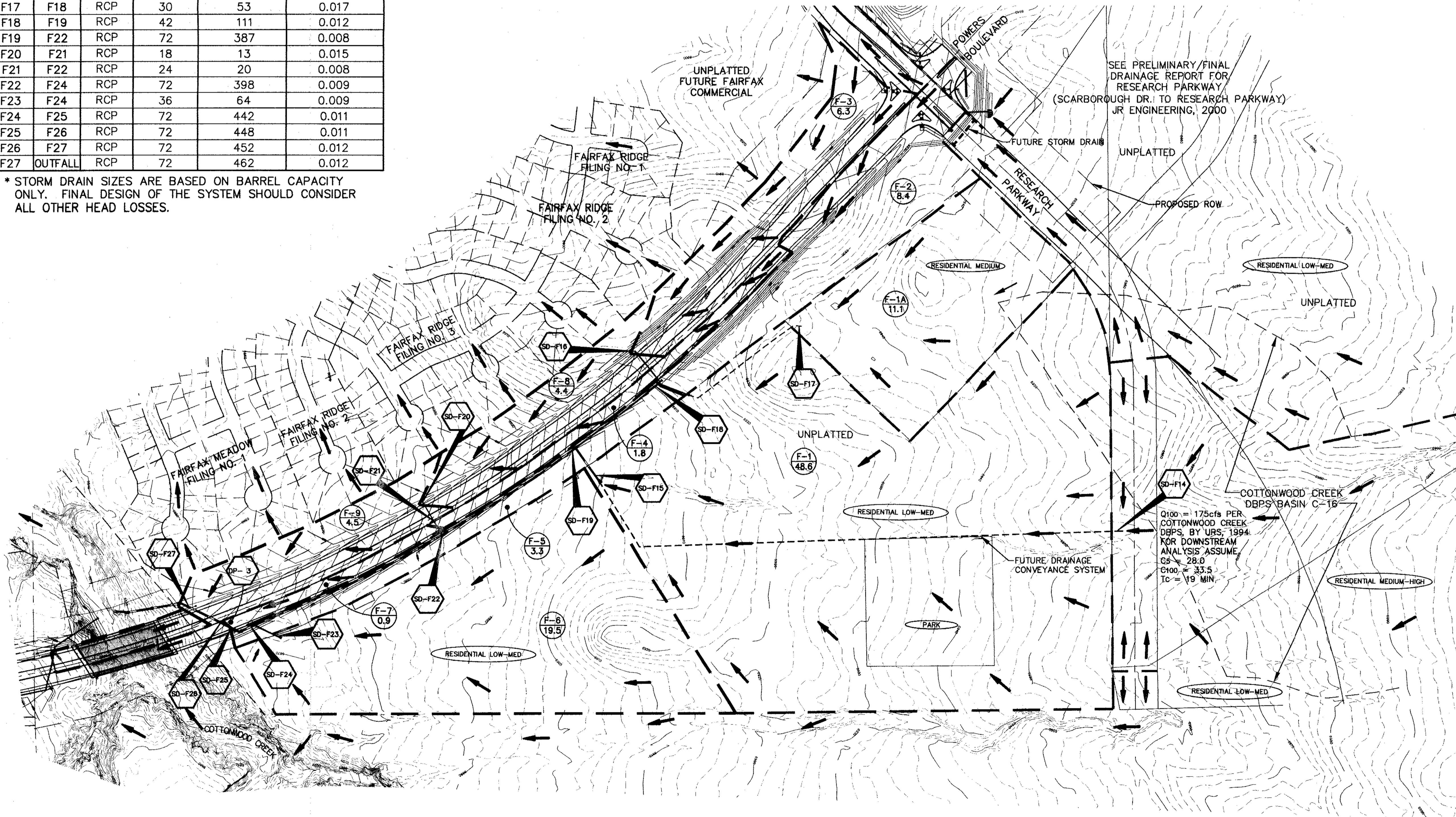
PRELIMINARY STORM DRAIN DATA *					
SD TO SD	TYPE	DIAMETER (FT)	DESIGN FLOW (CFS)	FRICTION SLOPE (FT/FT)	
F15 F19	RCP	66	304	0.008	
F16 F18	RCP	30	34	0.007	
F17 F18	RCP	30	53	0.017	
F18 F19	RCP	42	111	0.012	
F19 F22	RCP	72	387	0.008	
F20 F21	RCP	18	13	0.015	
F21 F22	RCP	24	20	0.008	
F22 F24	RCP	72	398	0.009	
F23 F24	RCP	36	64	0.009	
F24 F25	RCP	72	442	0.011	
F25 F26	RCP	72	448	0.011	
F26 F27	RCP	72	452	0.012	
F27	OUTFALL	RCP	72	0.012	

* STORM DRAIN SIZES ARE BASED ON BARREL CAPACITY ONLY. FINAL DESIGN OF THE SYSTEM SHOULD CONSIDER ALL OTHER HEAD LOSSES.

SUB BASIN SUMMARY			
BASIN	AREA (ACRES)	Q _s (CFS)	Q ₁₀₀ (CFS)
F-1	48.6	76	153
F-1A	11.1	27	53
F-2	8.4	18	37
F-3	6.3	17	32
F-4	1.8	7	13
F-5	3.3	4	8
F-6	19.5	32	64
F-7	0.9	4	8
F-8	4.4	7	13
F-9	4.5	7	13

DESIGN POINT SUMMARY (SURFACE FLOW)		
DP	Q _s (CFS)	Q ₁₀₀ (CFS)
F-3	4	9

DESIGN POINT SUMMARY (STORM DRAIN FLOW)		
SD	Q _s (CFS)	Q ₁₀₀ (CFS)
F-14	87	175
F-15	153	304
F-16	17	32
F-17	27	53
F-18	58	111
F-19	197	387
F-20	7	13
F-21	11	20
F-22	204	398
F-23	32	64
F-24	227	442
F-25	229	448
F-26	232	452
F-27	237	462



LEGEND	
DESCRIPTION	SYMBOL
EXISTING GROUND CONTOUR	6910
PROPOSED FINISHED CONTOUR	6910
BASIN BOUNDARY	---
DEVELOPED DRAINAGE DIRECTION	→
BASIN IDENTIFIER	A
AREA IN ACRES	10.1
DESIGN POINT (SURFACE)	DP-X
DESIGN POINT (STORM DRAIN)	SD-X
PROPOSED CROSSSPAN	— —
EXISTING STORM SEWER	— —
PROPOSED STORM SEWER	— —
FUTURE STORM SEWER	---
MASTER PLANNED USE	RESIDENTIAL LOW

NOTE: THIS PLAN WAS CREATED FOR THE SOLE PURPOSE OF ESTIMATING THE CONVEYANCE CAPACITY THAT WILL BE REQUIRED IN THE STORM DRAIN SYSTEM UPON FULL DEVELOPMENT OF THE CONTRIBUTING WATERSHED. SEE SHEET 2 FOR FACILITIES TO BE CONSTRUCTED WITH THE CURRENT PROJECT.

UNTIL SUCH TIME AS THESE DRAWINGS ARE APPROVED BY THE ENGINEER OF RECORD, THEY ARE NOT TO BE USED FOR ANY PURPOSES DESIGNATED BY THE PURPOSES DESIGNATED BY WRITTEN AUTHORIZATION.

48 HOURS BEFORE YOU DIG, CALL UTILITY LOCATORS
1-800-922-1987
 CITY OF COLORADO SPRINGS DEPT. OF UTILITIES
 GAS, ELECTRIC, WATER AND WASTEWATER

JR Engineering
Public Works
 4310 ArrowsWest Drive
 Colorado Springs, Colorado 80907-3449
 (719) 590-8800 • FAX (719) 528-6613

NO.	DATE	BY

NO.	DATE	BY

PLAN:	1"=200'
PROFILE:	N/A
DATE:	03/08/00
DES. BY:	VSF
DWN. BY:	MCS
CHK. BY:	

POWERS BOULEVARD (WOODMEN ROAD TO RESEARCH PKWY)
 FUTURE CONDITION DRAINAGE PLAN (NORTH OF COTTONWOOD CREEK)
 SHEET 3 OF 3
 PRELIMINARY/FINAL DRAINAGE REPORT
 JOB NO. 8715.00

XREFS: 8715001z, 8715002z, 8715003z, 8715004z, 8715005z, 8715006z, 8715007z, 8715008z, 8715009z, 8715010z, 8715011z, 8715012z, 8715013z, 8715014z, 8715015z, 8715016z, 8715017z, 8715018z, 8715019z, 8715020z, 8715021z, 8715022z, 8715023z, 8715024z, 8715025z, 8715026z, 8715027z, 8715028z, 8715029z, 8715030z, 8715031z, 8715032z, 8715033z, 8715034z, 8715035z, 8715036z, 8715037z, 8715038z, 8715039z, 8715040z, 8715041z, 8715042z, 8715043z, 8715044z, 8715045z, 8715046z, 8715047z, 8715048z, 8715049z, 8715050z, 8715051z, 8715052z, 8715053z, 8715054z, 8715055z, 8715056z, 8715057z, 8715058z, 8715059z, 8715060z, 8715061z, 8715062z, 8715063z, 8715064z, 8715065z, 8715066z, 8715067z, 8715068z, 8715069z, 8715070z, 8715071z, 8715072z, 8715073z, 8715074z, 8715075z, 8715076z, 8715077z, 8715078z, 8715079z, 8715080z, 8715081z, 8715082z, 8715083z, 8715084z, 8715085z, 8715086z, 8715087z, 8715088z, 8715089z, 8715090z, 8715091z, 8715092z, 8715093z, 8715094z, 8715095z, 8715096z, 8715097z, 8715098z, 8715099z, 8715100z